



## Spare parts list

(16369020) K 3.91M

(16369050) K 3.91M \*CA

# CONTENT LIST

**1.0 Housing**

**2.0 Pump set**

**2.1 Housing**

**2.2 Thrust guidance**

**3.0 MOTOR**

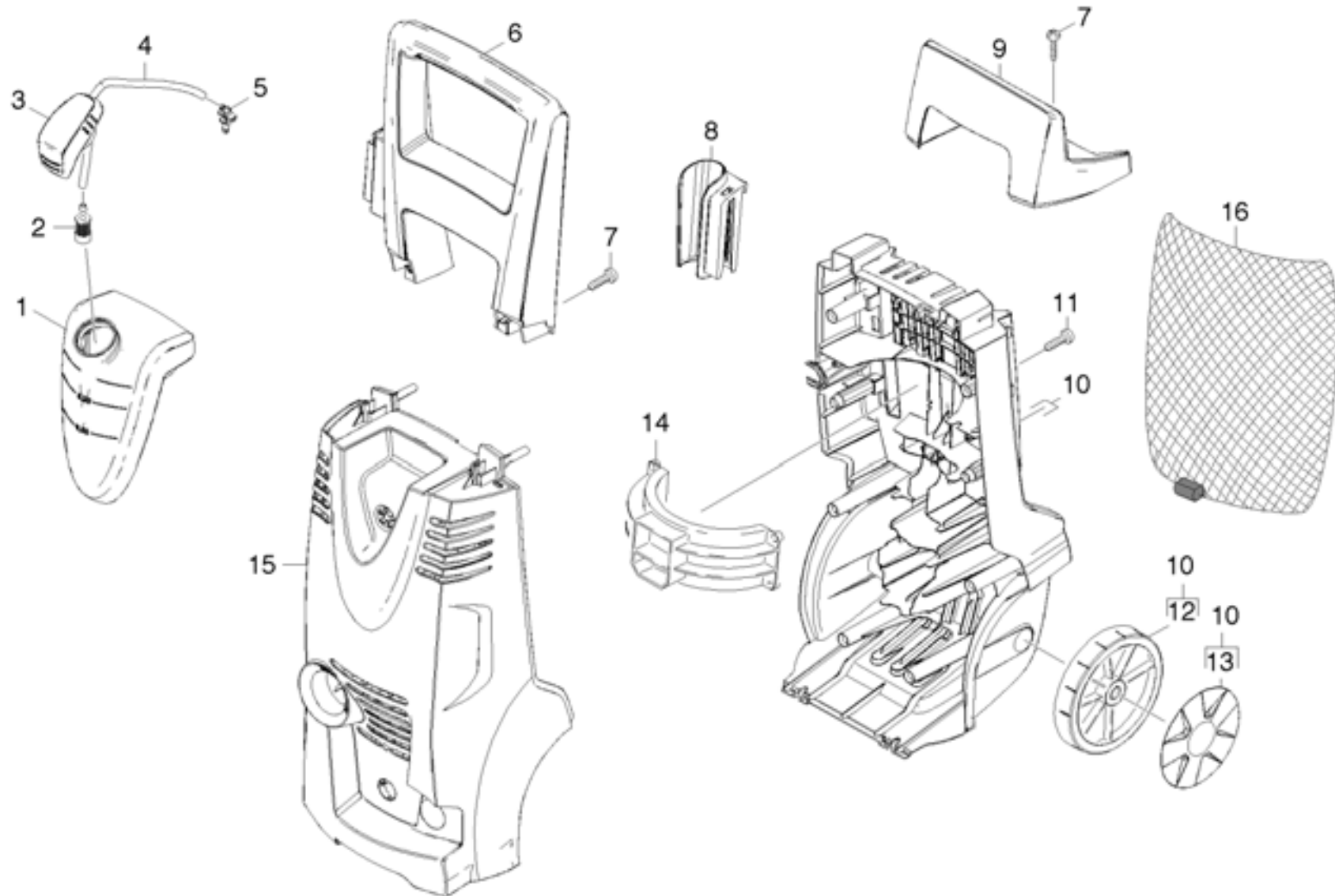
**4.0 ACCESSORIES**

**4.1 TRIGGER GUN**

**4.2 Jet pipe**

**5.0 Electric box**

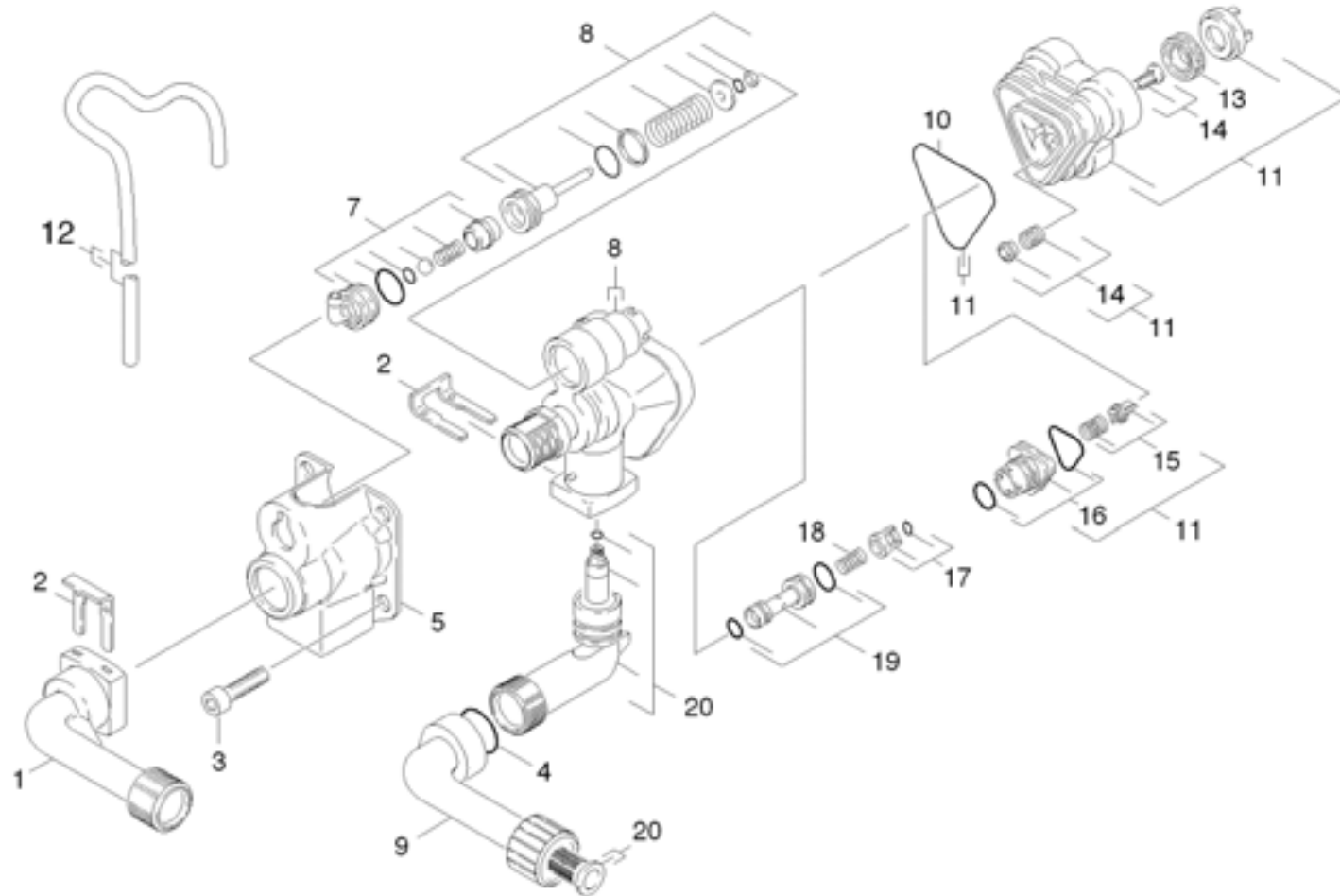
## 1.0 Housing



## 1.0 Housing

POS	DESCRIPTION ADDITIONAL INFORMATIONS	PART NO	QTY.	FROM SER.NR.	UP TO SER. NR.
1	Tank K3.91	90372470	1		
2	Filter with weight	57316090	1		
3	Cap of a tank	90480800	1		
4	Hose DN 5	63882160	1		
	TO ORDER AS CUT GOODS				
5	Nipple cleaning agents	90372620	1		
6	Handhold K3.91	90372460	1		
7	Screw	90861820	4		
8	Holder pistol	90372400	1		
9	Covering cap handhold black K4.91	90372490	1		
10	Chassis complete rear K3.91M	90121690	1		
11	Srew 4x22	90861730	10		
12	Wheel neutrally D160	90371550	2		
13	Wheel cab yellow KÄRCHER	90371630	2		
14	Flange motor Kx.91	90372480	1		
15	Cover Kärcher (K3.91)	90372450	1		
16	Accessories mains	62760450	1		

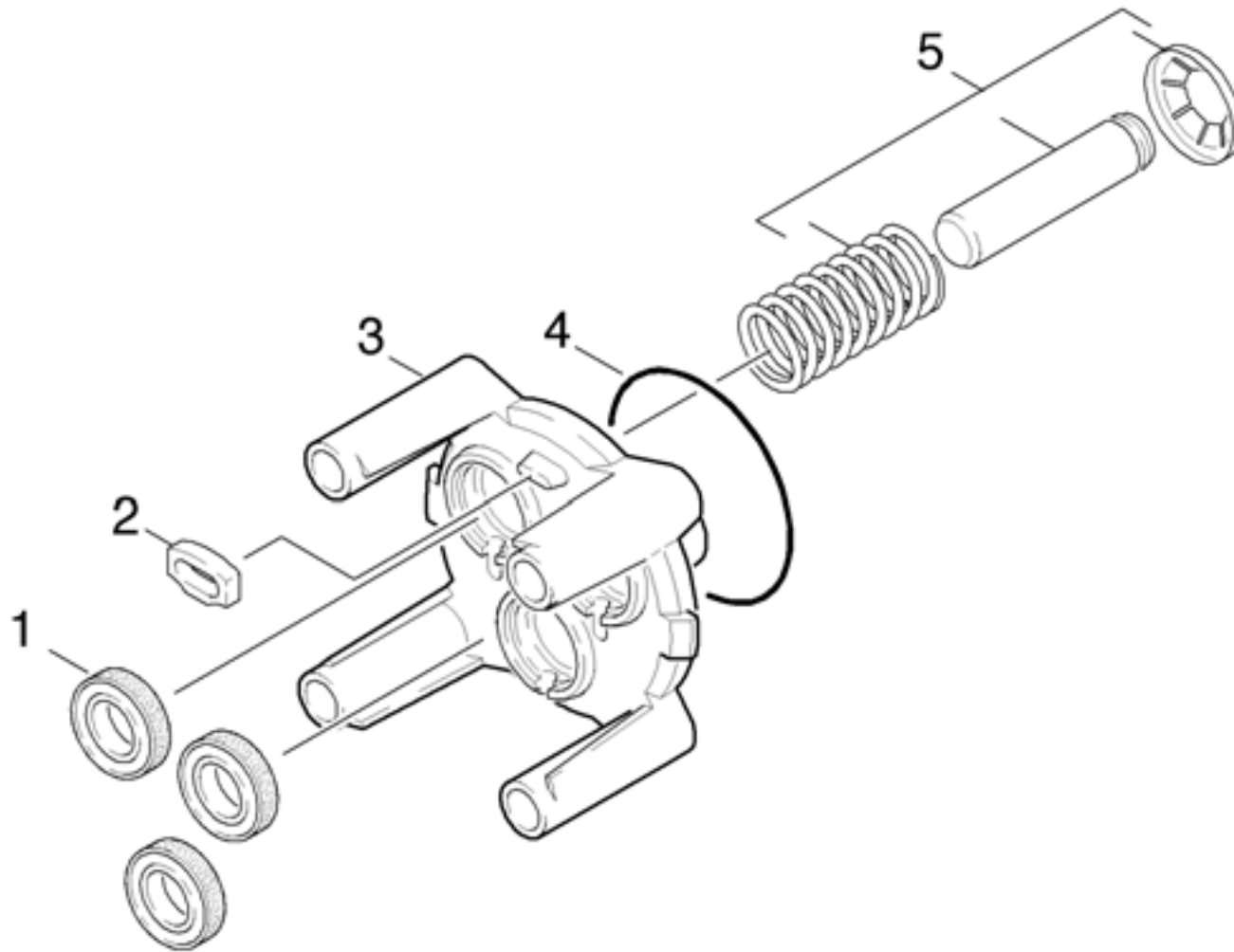
## 2.1 Housing



## 2.1 Housing

POS	DESCRIPTION ADDITIONAL INFORMATIONS	PART NO	QTY.	FROM SER.NR.	UP TO SER. NR.
1	Connection delivery side	90367030	1		
2	CLAMP	90391480	2		
3	SCREW M8x55 CLASSE 8.8	90862000	4		
4	O-RING	90814210	1		
5	Cover	90391660	1		
7	RM ANSAUGUNG ALDI2003	90117530	1		
8	Spare parts set control head	90012670	1		
9	Connection suction side	90013620	1		
10	Form seal	90814220	1		
11	ET-Set Zylinderkopf	90012150	1		
12	Hose DN 5 TO ORDER AS CUT GOODS	63882160	1		
13	Water sealing d.12x20x5	63628750	3		
14	MOULDED PART SET CONSISTS OF 3X MACHINED PART COMPL.	90011100	1		
15	VENTILSET SET CONSISTS OF 3X MACHINED PART COMPL.	90011490	1		
16	JOINING PIECE	90011060	1		
17	CAGE	90011070	1		
18	SPRING	90470260	1		
19	INJECTOR	90011080	1		
20	Spare parts set suction connection	90014100	1		

## 2.2 Thrust guidance

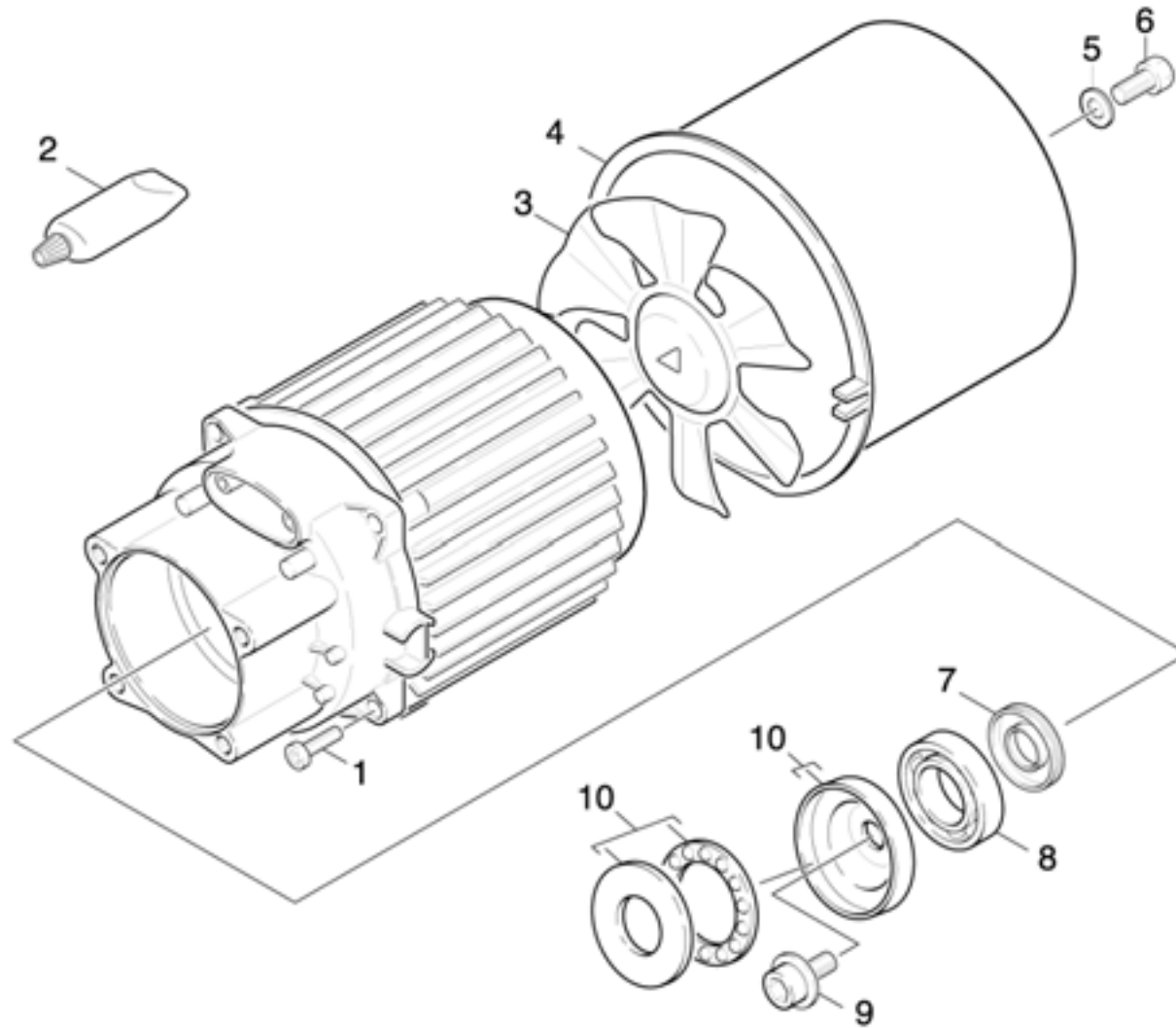


## 2.2 Thrust guidance

POS	DESCRIPTION	PART NO	QTY.	FROM SER.NR.	UP TO SER. NR.
	<a href="#">ADDITIONAL INFORMATIONS</a>				
1	SEAL	69640260	3		
2	SPACER	90480710	1		
3	PISTON GUIDE K130	90420350	1		
4	GASKET 61,6 X 2,62	63628260	1		
5	Piston completely	90013200	1		
	<a href="#">SET CONSISTS OF 3X PISTON COMPL.</a>				



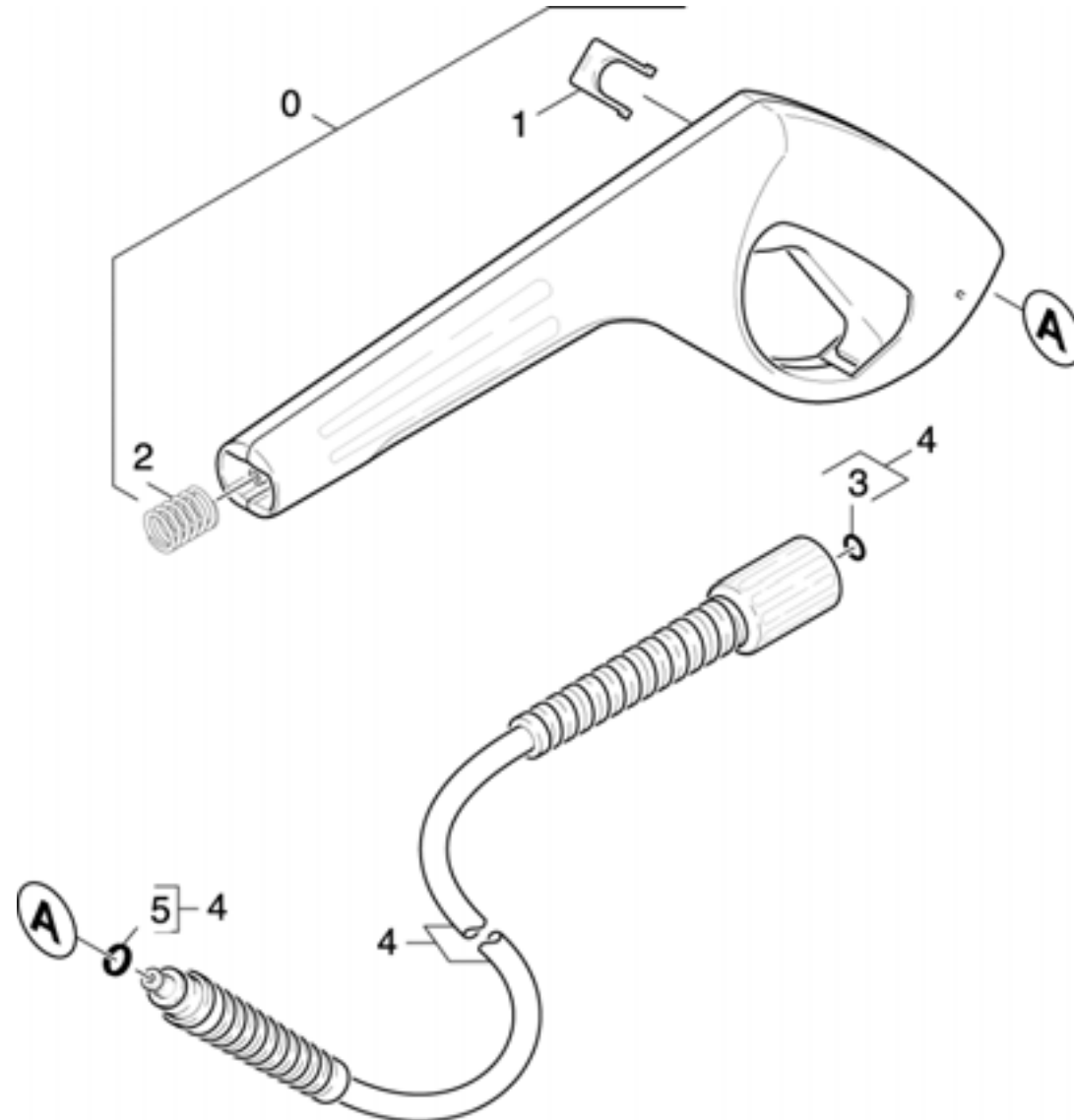
### 3.0 MOTOR



## 3.0 MOTOR

POS	DESCRIPTION ADDITIONAL INFORMATIONS	PART NO	QTY.	FROM SER.NR.	UP TO SER. NR.
1	VITE AUTOFILETT. M5X20 TRILOBATA	90861850	4		
2	GREASE (50ML)	69640920	1		
3	MOTOR FAN	90391880	1		
4	AIR CURCULATION	50605370	1		
5	Serrated lock washer A8,4 -FSt-A3E DIN6	73122330	1		
6	Hexagonal head screw M8x16 -8.8-A2E ISO	73043950	1		
7	Rotary shaft seal 17x35x5	90780070	1		
8	Ball bearing 6303-St DIN 625	74010100	1		
9	Wobble plate screw M8x16	90861690	1		
10	Swash plate	90013020	1		

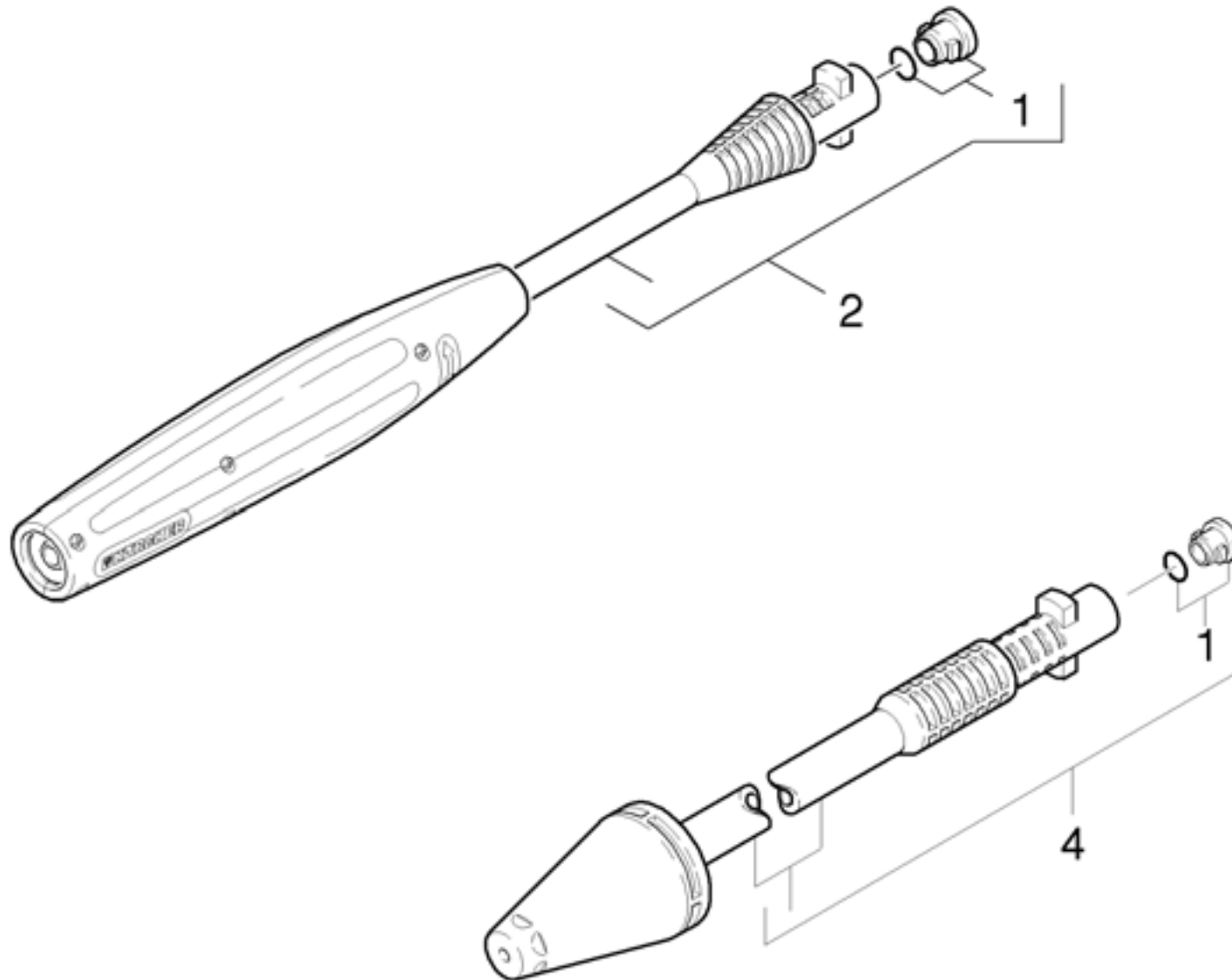
## 4.1 TRIGGER GUN



## 4.1 TRIGGER GUN

POS	DESCRIPTION <a href="#">ADDITIONAL INFORMATIONS</a>	PART NO	QTY.	FROM SER.NR.	UP TO SER. NR.
0	PISTOL	47753890	1		
1	CLAMP	50371370	1		
2	Pressure spring	53324640	1		
3	Spare part set O-Ring seal 5x-Kaercher	28802960	1		
4	HOSE	63904990	1		
5	GASKET	63631980	1		

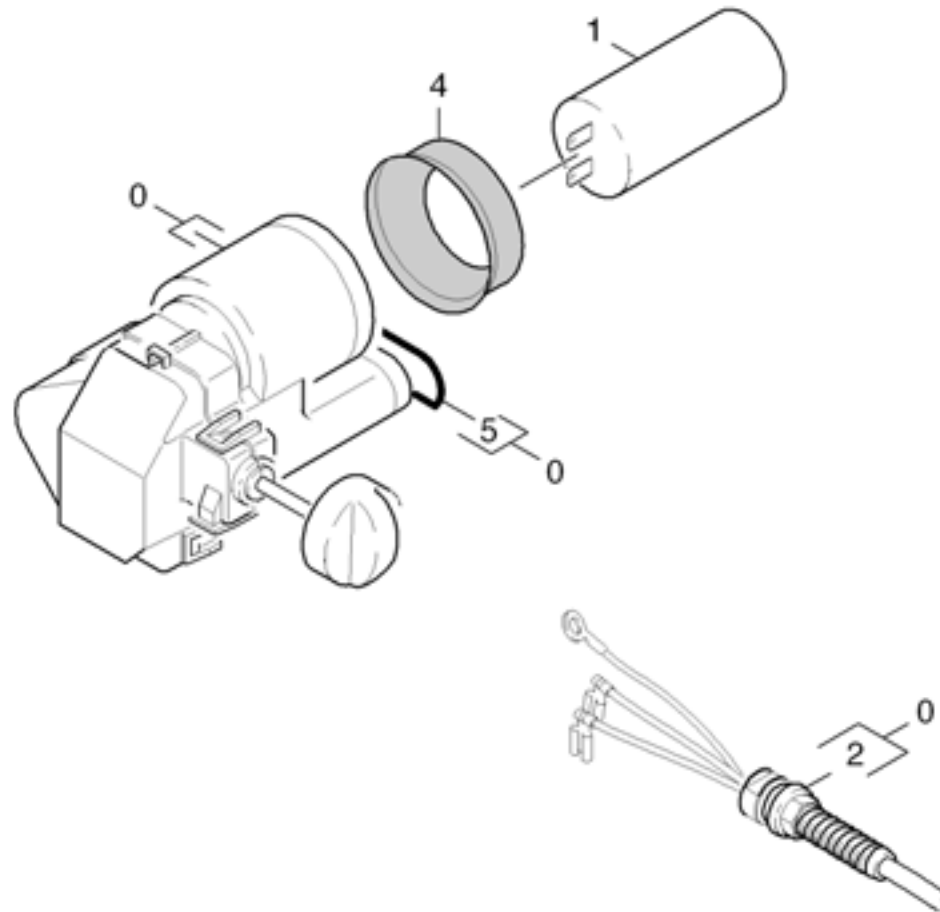
## 4.2 Jet pipe



## 4.2 Jet pipe

POS	DESCRIPTION <a href="#">ADDITIONAL INFORMATIONS</a>	PART NO	QTY.	FROM SER.NR.	UP TO SER. NR.
1	GASKET	26407290	1		
2	VPS K3 0225	47605750	1		
4	ROTARY NOZZLE	47639910	1		

## 5.0 Electric box



## 5.0 Electric box

POS	DESCRIPTION ADDITIONAL INFORMATIONS	PART NO	QTY.	FROM SER.NR.	UP TO SER. NR.
0	Electric box complete <a href="#">1.636-902.0</a>	90014160	1		
0	Electric box complete <a href="#">1.636-905.0</a>	90014170	1		
1	Capacitor 60μF	66611960	1		
2	Cable with plug <a href="#">1.636-902.0</a>	90841490	1		
2	Cable with plug <a href="#">1.636-905.0</a>	90841790	1		
4	GASKET	90804210	1		
5	O-RING	90814170	1		